

LARGE ANIMAL INFUSION SYSTEM



Rugged, Precise and versatile infusion systems, designed and fabricated to operate accurately and meet criteria for procedures involving larger animal subjects; rabbits, dogs, primates, swine and farm animals. For more information, or to order please visit us online at www.lomir.com or call 1-877-425-3604.

SWIVELS



Single-fluid channel models made from high-impact plastic or stainless steel in standard gauges (16-20).

Double and triple channel models for simultaneous applications are fabricated from high-impact plastic with 17 to 20 gauge channels.

All large animal swivels are supplied with a "C" clamp and designed for repeated use.

TETHERS

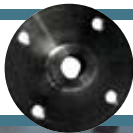


Constructed from flexible interlocking stainless steel. Machined aluminum end pieces are secured to swivels and end-plates by two set screws.

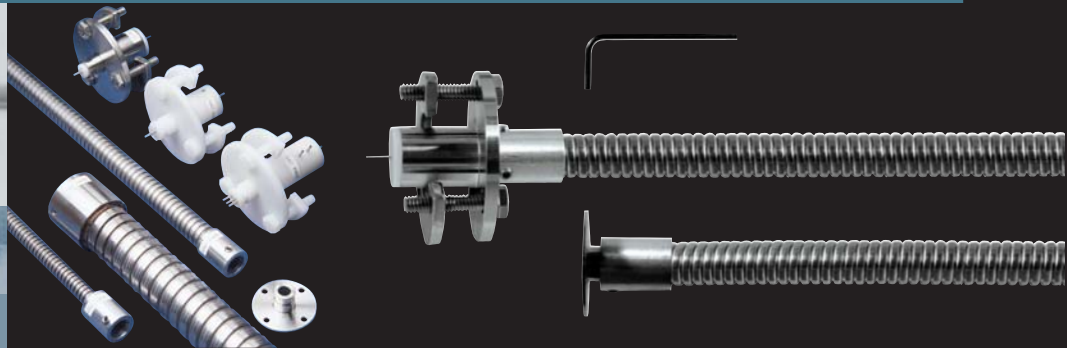
Allows for ease of movement by the subject while eliminating interference and damage to the catheter.

Tethers are available in three regular diameters. Standard lengths range from two to four feet, with other lengths available by special order.

END-PLATES



Machined from a single piece of stainless steel for a durable and reliable connection to a reinforced anchor point on the jacket.



458 East Main Street, Malone, NY, 12953
Tel: (518) 483-7697 Fax: (518) 483-8195
Toll Free: (877) 425-3604
www.lomir.com

95 Huot, Notre-Dame-de-l'Île-Perrot, Qc., J7V 7M4
Tel: (514) 425-3604 Fax: (514) 425-3605
Toll Free: (877) 425-3604
www.lomir.com